

RJ-45 RS-232 Line Extender Box

ASM-600-LN is RS-232 line extender Box. ASM-600-LN can Line extend 15M(Max the signal of PC' RS-232; It is standard RJ-45 extender Box. ASM-600-LN . If your PC's RS-232 interface is DB9M - please purchase an adapter cable or adapter for installation.

Features & Specification:

Standard Ethernet's Extender Box.

For Standard RS-232 DCE (RJ-45) to DTE (RJ-45) Interface
With RJ-45 & RJ-45 Connectors / Easy to install, Plug & Play

Data rate : RS-232 =>Up to 921 K bps / Stander RS-232 I/O

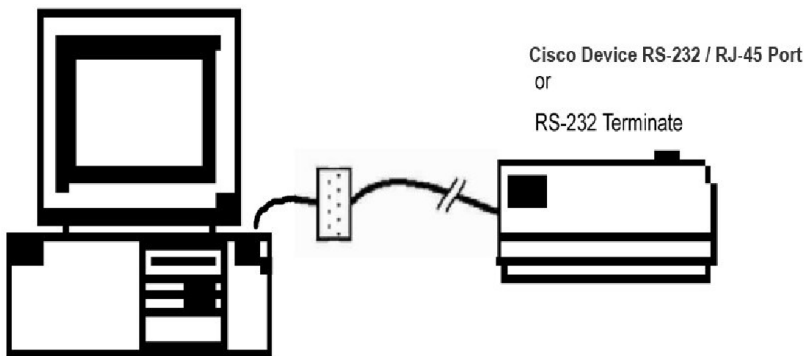
Ethernet =>Up to 1G bps / Stander Ethernet I/O

Housing : Plastic / Weight : 26g / Dimensions (L*W*H) : 45 * 48 * 24 (mm)

Pin assignment:

RS-232 Signal	Name	RJ-45	RJ-45
CTS (Clear To Send)	CTS	1	1
DSR (Data Set Ready)	DSR	2	2
RD (Receive Data)	RXD	3	3
SG (Signal Ground)	GND	4	4
SG (Signal Ground)	GND	5	5
TD (Transmit Data)	TXD	6	6
DTR (Data Terminal Ready)	DTR	7	7
RTS (Request To Send)	RTS	8	8
FG (Frame Ground)*	FG (Frame Ground)*	Shell	Shell

Connection:



PC' RJ-45 Cable & Adapter



DB9F to RJ-45 Cable



DB9F to RJ-45 Adapter

